

TBS04303B  
(On/Off Switch)

TBS04304B  
(2Modes, On/Off  
f Switch)



### FEATURES

- Elegant appearance.
- Beautiful curves reveal elegant taste.
- Easy installation and usage.

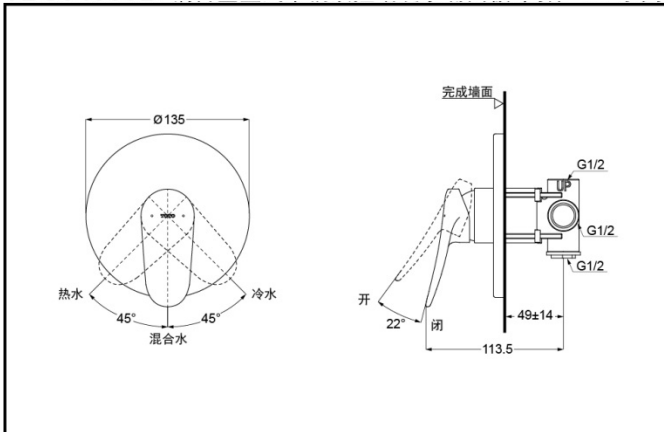
### SPECIFICS

Water Inlet Requirement :  
0.05MPa(Dynamic  
Pressure)~1.0MPa(Static  
Pressure)

### Others

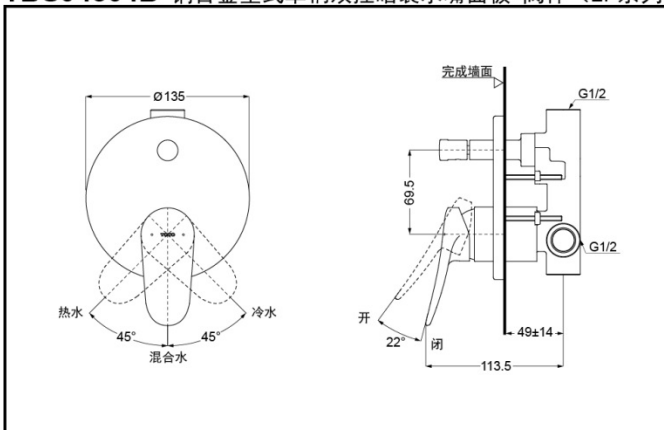
Series : LF  
Recommend fittings :  
LF series Shower

TBS04303B Wall-Mount Mixer/Valve



\*TOTO(CHINA) CO.,LTD. All rights reserved.

TBS04304B Wall-Mount Mixer/Valve



\*TOTO(CHINA) CO.,LTD. All rights reserved.

TOTO(CHINA) CO.,LTD. www.toto.com.cn